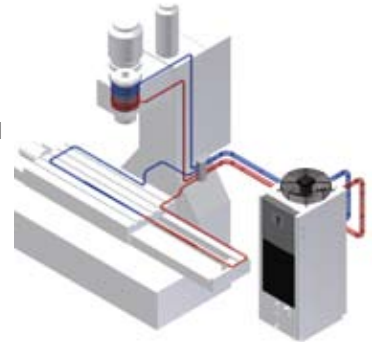


HBO Series Oil Cooler for Hydraulic Oil, Lubrication Oil



Feature

- Prevent temperature increasing of spindle, improve working precision of machine.
- Prevent deviation of spindle center line or heat deformation of machine.
- Extend the lifetime of the machine.
- Stabilize oil pressure, prevent oil vibration.
- Easy operation, low noise.



Specification

Item / Model		HBO-50PS	HBO-250PS	HBO-400PS	HBO-600PS	HBO-750PS	HBO-900PS	HBO1000PS	HBO-2RPS	HBO-3RPS	HBO-4RPS	HBO-5RPS	
Cooling capacity	KCAL/H 50/60Hz	430/500	840/1000	1250/1500	1700/2100	2600/3000	3200/3800	3750/4500	5000/6000	7500/9000	10000/12000	12500/15000	
	W 50/60Hz	500/580	980/1170	1450/1750	1970/2450	2900/3500	3700/4400	4350/5250	5820/6980	8720/10470	11630/13960	14540/17450	
	BTU/H 50/60Hz	1720/2000	3360/4000	5000/6000	6700/8400	10000/12000	12800/15200	15000/18000	20000/24000	30000/36000	40000/48000	50000/60000	
Temperature controller	A	Fixed temperature control type (setting range 10~40 °C)											
	B	Differential temperature control type (tracing ambient/machine body temperature, setting range -9.9~+9.9 °C)											
Use range	Ambient temperature °C	10~40°C (Standard)											
	Oil temperature °C	10~45°C											
Power source		3Ø 200~230V 50/60Hz											
Motor	Compressor	250	478	845	845	1185	1500	1700	2480	3350	4400	6100	
	Fan	200				180		350			500		
	Pump	200				400		750			2200		
Pump flow rate (L/min)	50Hz	3.7		6.7		16.6		25	33		57	64	
	60Hz	4.5		8		20		30	40		68	77	
Piping diameter	Inlet	PT 1/4"	PT 1/2"			PT 1"		PT 1"		PT 1-1/4"			
	Outlet	PT 1/4"	PT 1/2"			PT 1"		PT 1"		PT 1-1/4"			
Max. pressure loss (kgf/cm ²)		3.0											
Oil viscosity		Hydraulic oil, lubrication oil 4-300 cSt											
Tank capacity (optional)		2.5L	7L	19L		20L		20L	35L	31L	90L		
Dimension WxDxH (mm)	Without tank	270x475x436		370x475x765	370x475x840	575x430x1045		480x580x1340		500x770x1295		554x690x1525	1085x740x1400
	With tank	270x475x436		370x475x950	370x475x1030	575x430x1200		550x580x1340		500x770x1295		554x690x1525	1085x780x1400
Weight (KG)	Without tank	33	51	61	66	96		147	176	181	291		
	With tank	34	54	71	77	118		150	179	208	325		
Noise level		Below 70 dB(A)							Below 80 dB(A)				

1. The above cooling capacity is based on the condition of ambient temperature 35 °C, outlet oil temperature 35°C with oil type of ISO VG32.

2. Please contact us for special request on specification.

3. Different voltage is available, please specify upon request.

4. Design and specification are subject to change without prior notice.

5. The oil tank is an optional component, please specify during enquiry.